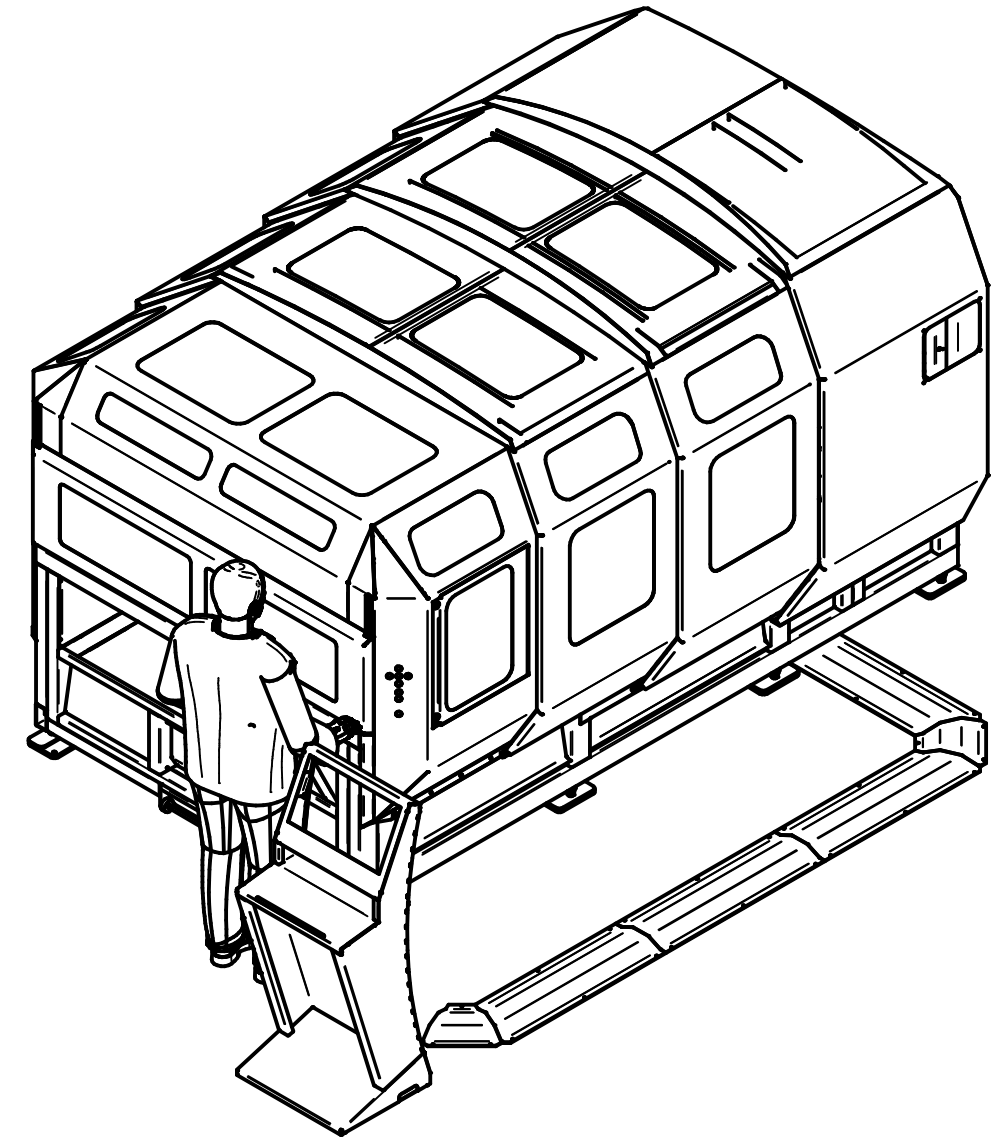
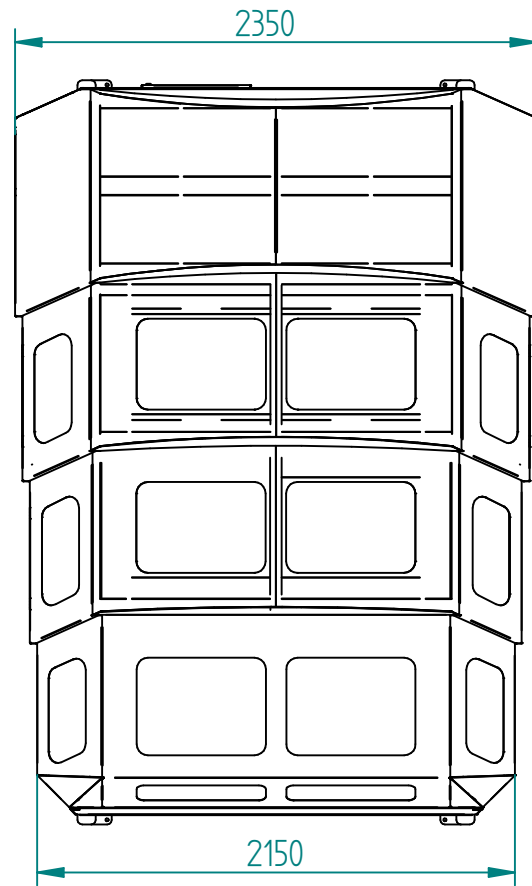
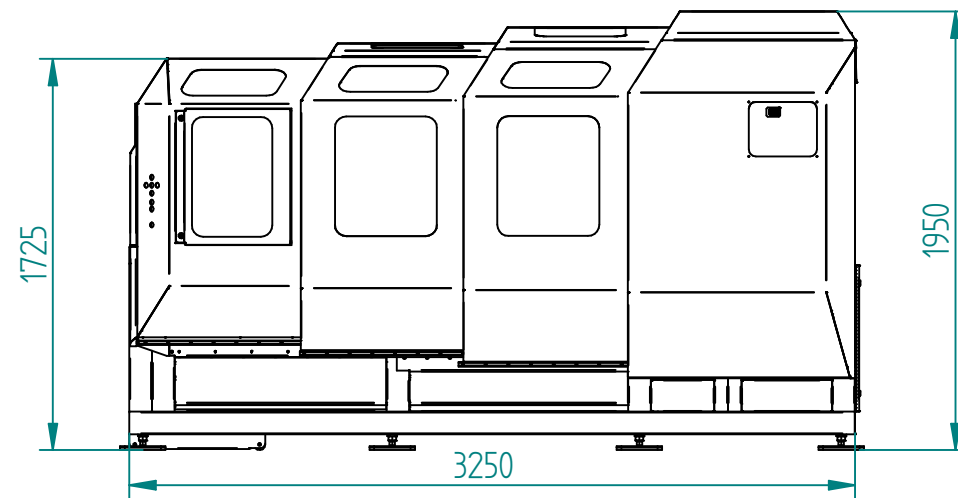
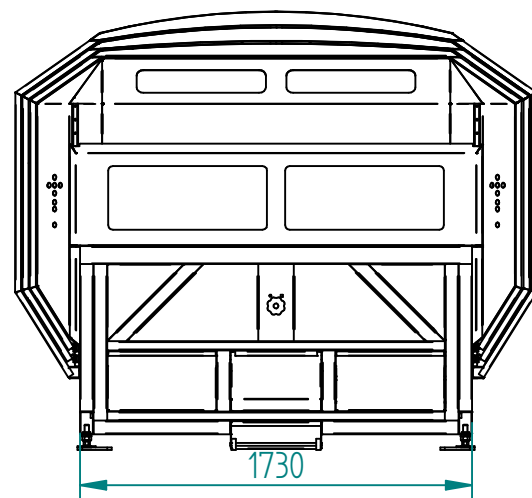


REVISION HISTORY			
REV	DESCRIPTION	DATE	APPROVED
		13/01/2016	



Allow upto 100 mm tolerance on all dimensions



	NAME	DATE	CTRfuture Ltd Copyright - Do not reproduce without written consent		
DRAWN	michael	16/10/2015			
CHECKED			Title: Full machine outer dimensions TMK1520 130116		
ENG APPR					
MGR APPR					
UNLESS OTHERWISE SPECIFIED DIMENSIONS ARE IN MILLIMETERS ANGLES ±0.1° 2 PL ±0.02 3 PL ±0.005			SIZE A3	Doc:	REV
MATERIAL:			File: Full machine(angled sides) Rev2.asm		
Finish:			SCALE:	WEIGHT:	SHEET 1 OF 1