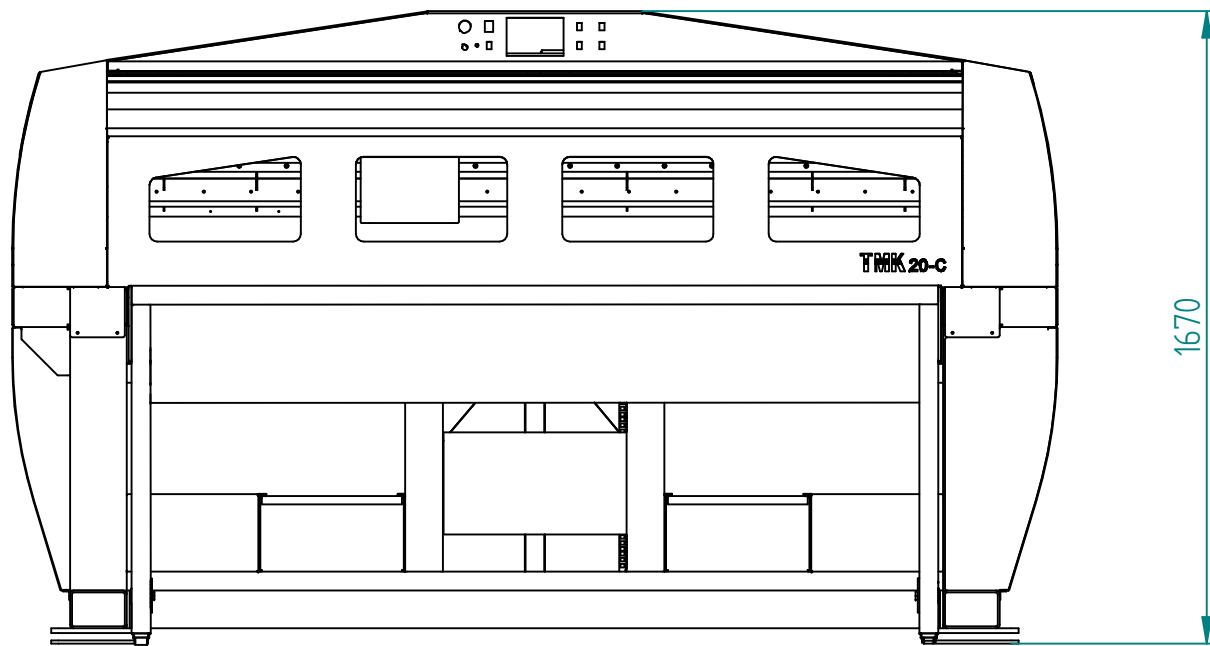
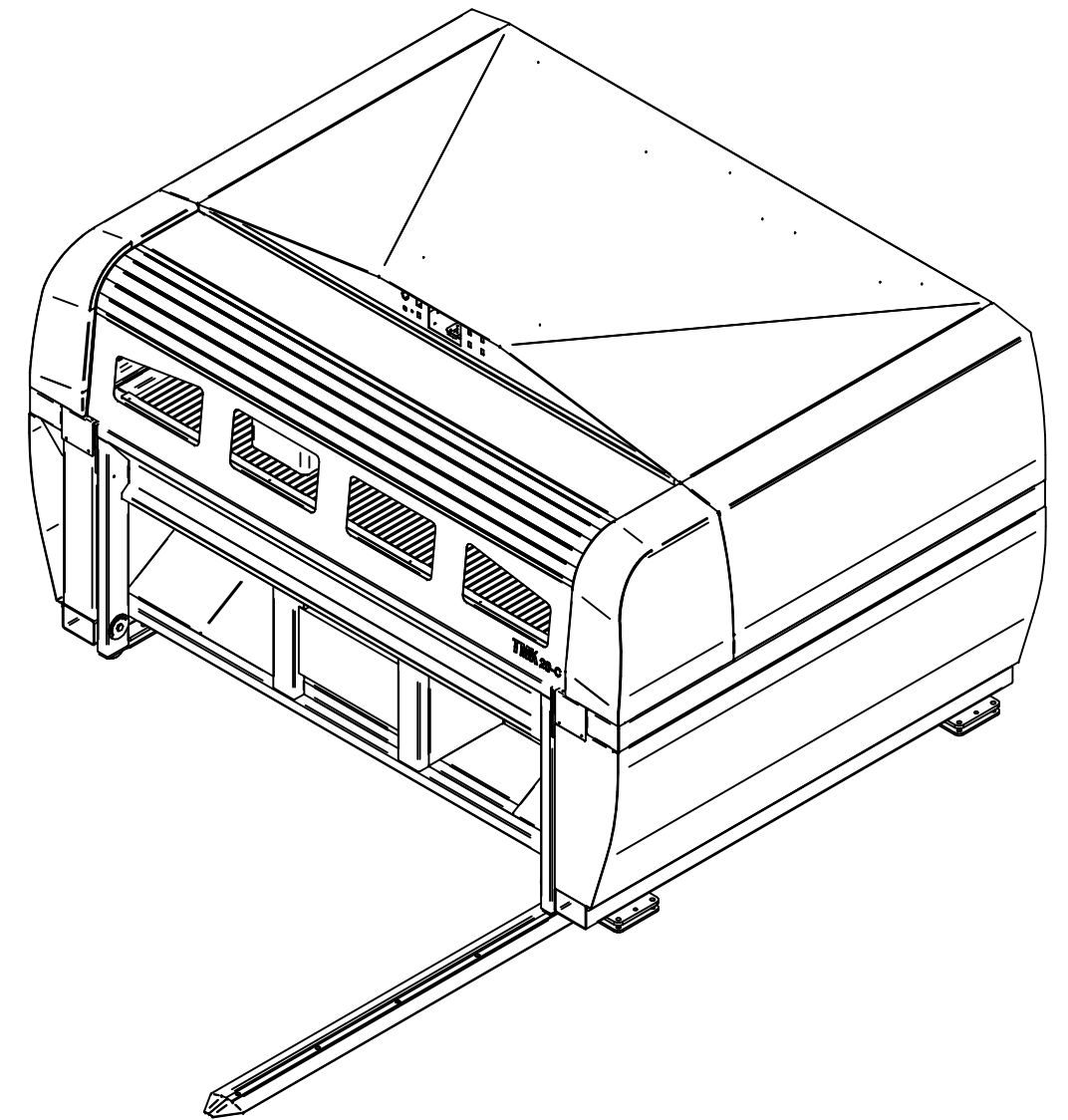
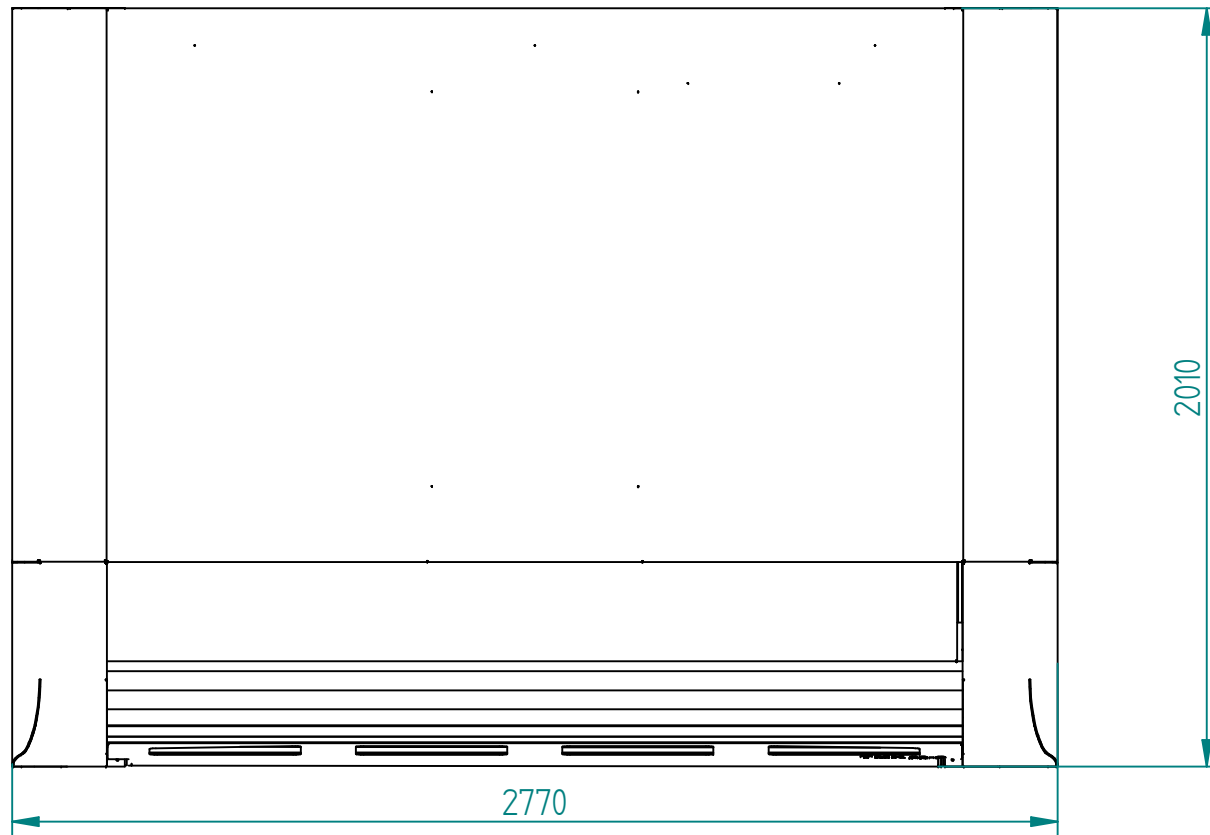


REVISION HISTORY			
REV	DESCRIPTION	DATE	APPROVED
		10/11/2014	



	NAME	DATE	CTRfuture Ltd <i>Copyright - Do not reproduce without written consent</i>	
DRAWN	michael	24/06/2014		
CHECKED			Title: TMK20 Outer Dimensions	
ENG APPR				
MGR APPR			Doc: _____	
UNLESS OTHERWISE SPECIFIED DIMENSIONS ARE IN MILLIMETERS ANGLES ±0.1° 2 PL ±0.02 3 PL ±0.005				
MATERIAL:			File: Full.asm	
Finish:			SCALE:	WEIGHT:
			SHEET 1 OF 1	