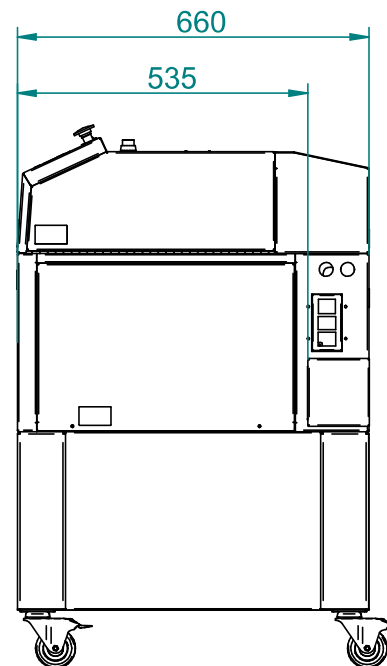
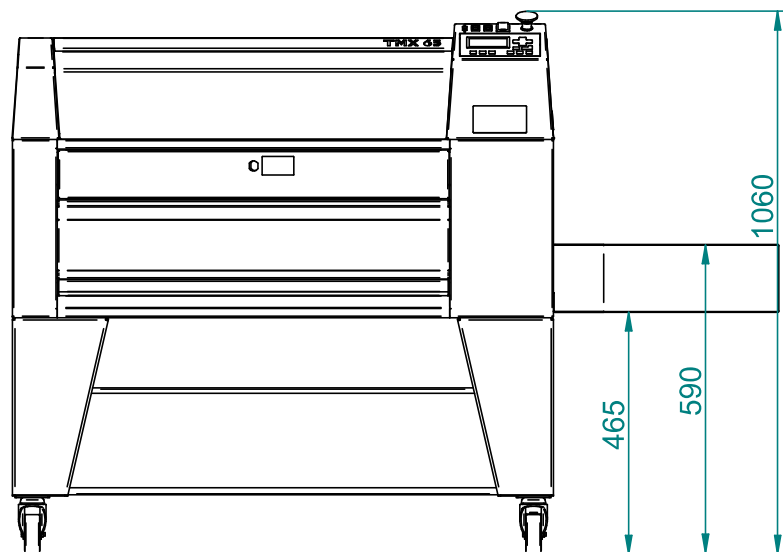
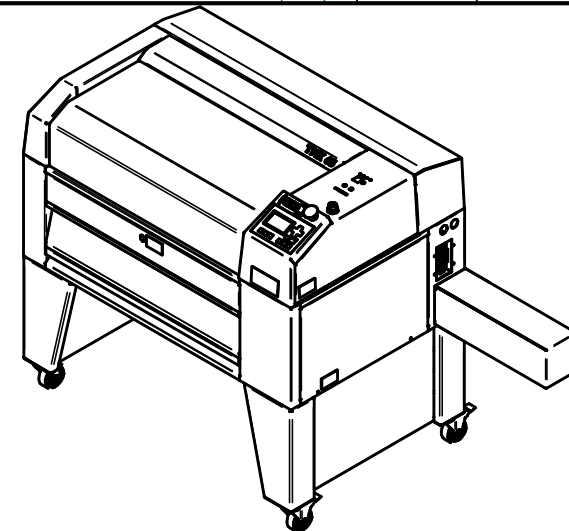


To ensure easy traversing of doorways, corridors etc. please add 20mm to the machine dimensions displayed.



REVISION HISTORY			
REV	DESCRIPTION	DATE	APPROVED
1.0	TMX65 outer dimensions (RD)	13/05/2021	



All dimensions are based on the current revision. Please ask a CTR representative to provide you with the latest revision to aid in logistics and placement.

	NAME	DATE	CTRfuture Ltd Copyright - Do not reproduce without written consent	
DRAWN	Michael	25/04/2013		
REV 1	Donna	13/05/2021	File: 1070-Full assembly.asm	
UNLESS OTHERWISE SPECIFIED DIMENSIONS ARE IN MILLIMETERS ANGLES $\pm 0,1^\circ$ 2 PL $\pm 0,02$ 3 PL $\pm 0,005$				
REF:	SHEET 1 OF 1			