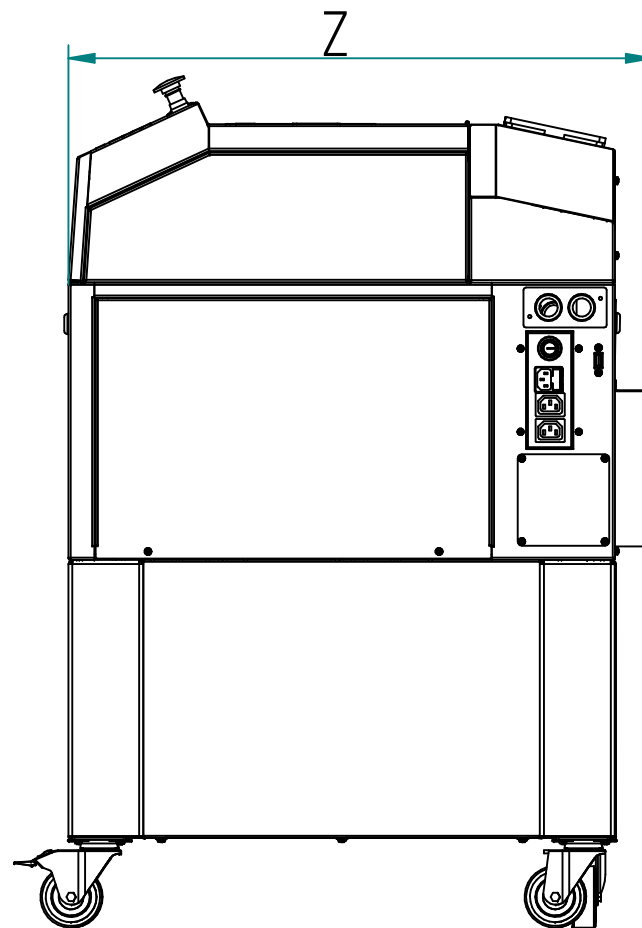
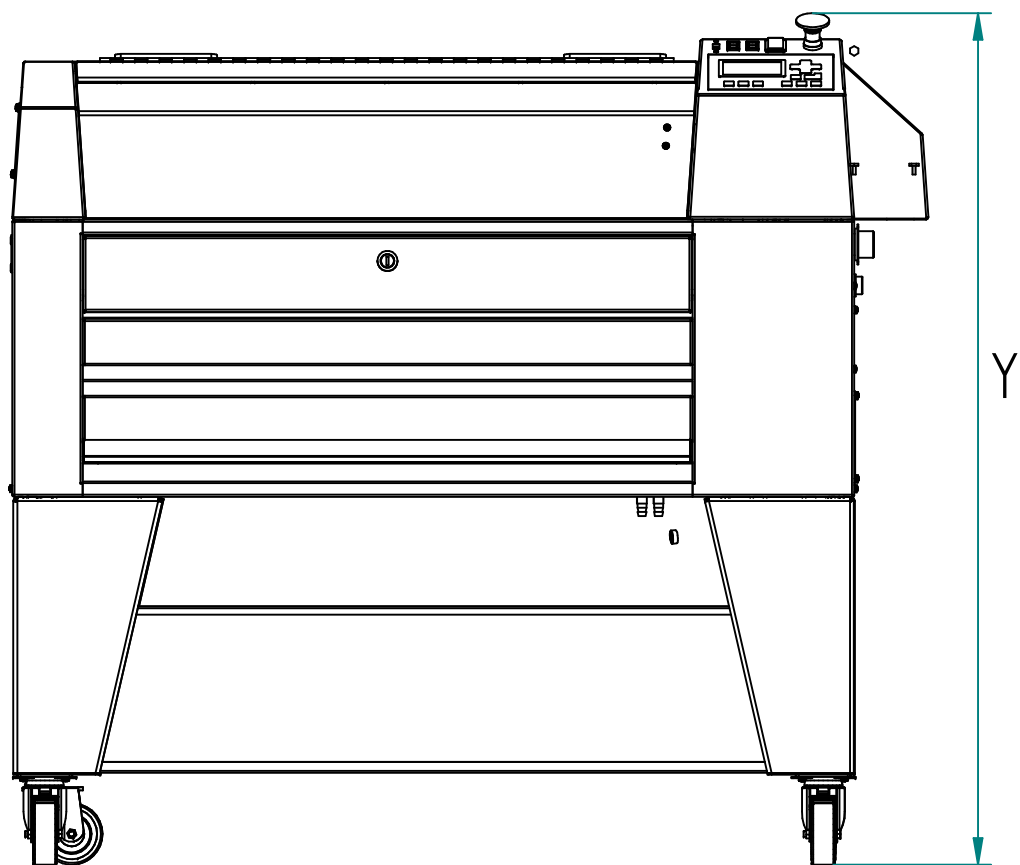


To ensure easy traversing of doorways corridors etc please add 20mm to the machine dimensions displayed



| REVISION HISTORY | | | |
|------------------|-------------|------------|----------|
| REV | DESCRIPTION | DATE | APPROVED |
| | | 10/04/2014 | |

| Outer Dimensions | | |
|--------------------------|-----------|------------------------------------|
| Dimensions (X , Y , Z) | Tube Bias | Notes |
| 1110 x 955 x 660 | 50W Dc | Within Standard casing constraints |
| 1450 x 955 x 660 | 80W Dc | 1110mm + 340mm End box |
| 1110 x 955 x 660 | 25W Rf | Within Standard casing constraints |
| 1110 x 955 x 703 | 30W Rf | 660 + 43mm step out box for Rf |
| 1110 x 955 x 703 | 40W Rf | 660 + 43mm step out box for Rf |
| 1110 x 955 x 703 | 60W Rf | 660 + 43mm step out box for Rf |

All Dimensions are based on the current revision. Please ask a CTR representative to provide you with the latest revision to aid in logistics analysis and placement

| | NAME | DATE | CTRfuture Ltd | |
|---|---------|------------|--|---------|
| DRAWN | michael | 25/04/2013 | Copyright - Do not reproduce without written consent | |
| CHECKED | | | Title: TMX 65 Outer dimensions | |
| ENG APPR | | | Doc: | |
| MGR APPR | | | SIZE A3 | REV |
| UNLESS OTHERWISE SPECIFIED DIMENSIONS ARE IN MILLIMETERS ANGLES ±0.1° 2 PL ±0.02 3 PL ±0.005 | | | File: 1070-Full assembly.asm | |
| MATERIAL: | | | SCALE: | WEIGHT: |
| Finish: | | | SHEET 1 OF 1 | |