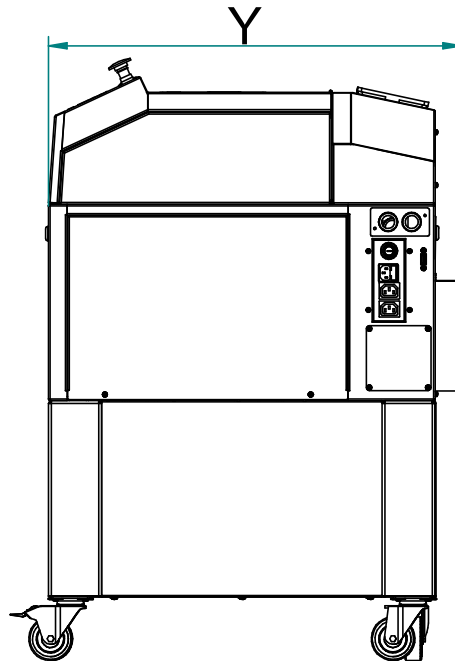
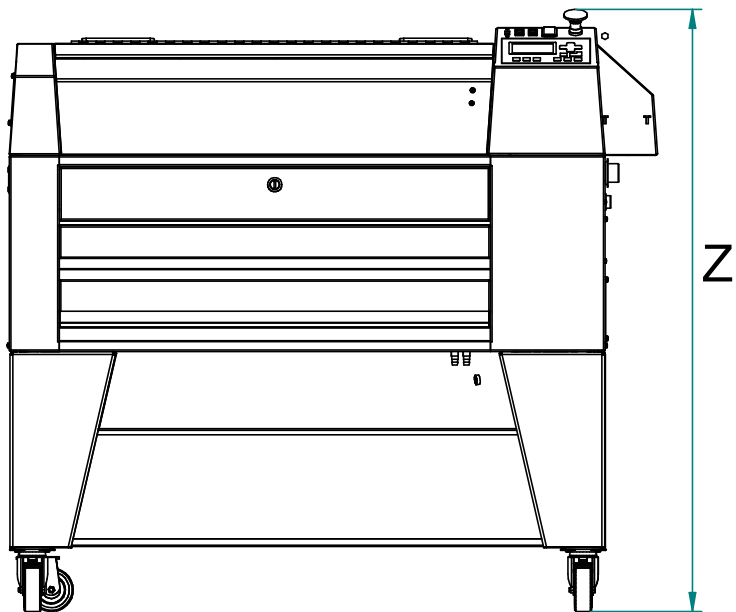


To ensure easy traversing of doorways, corridors etc. please add 20mm to the machine dimensions displayed.



REVISION HISTORY

REV	DESCRIPTION	DATE	APPROVED
1.0	TMX65 outer dimensions (RD)	13/05/2021	

Outer Dimensions

Dimensions ( X , Y , Z )	Tube Bias	Notes
1110 x 660 x 1060	50W DC	Within standard casing constraints
1450 x 660 x 1060	80W DC	With longer tube end box (RHS)
1110 x 660 x 1060	25W RF	Within Standard casing constraints
1110 x 703 x 1060	30W RF	Deeper step out box for RF
1110 x 703 x 1060	40W RF	Deeper step out box for RF
1110 x 703 x 1060	60W RF	Deeper step out box for RF

All dimensions are based on the current revision. Please ask a CTR representative to provide you with the latest revision to aid in logistics and placement.

	NAME	DATE	<b>CTRfuture Ltd</b> Copyright - Do not reproduce without written consent	
DRAWN	Michael	25/04/2013		
REV 1	Donna	13/05/2021	File: 1070-Full assembly.asm	
UNLESS OTHERWISE SPECIFIED DIMENSIONS ARE IN MILLIMETERS ANGLES ±0,1° 2 PL ±0.02 3 PL ±0.005				
			SHEET 1 OF 1	