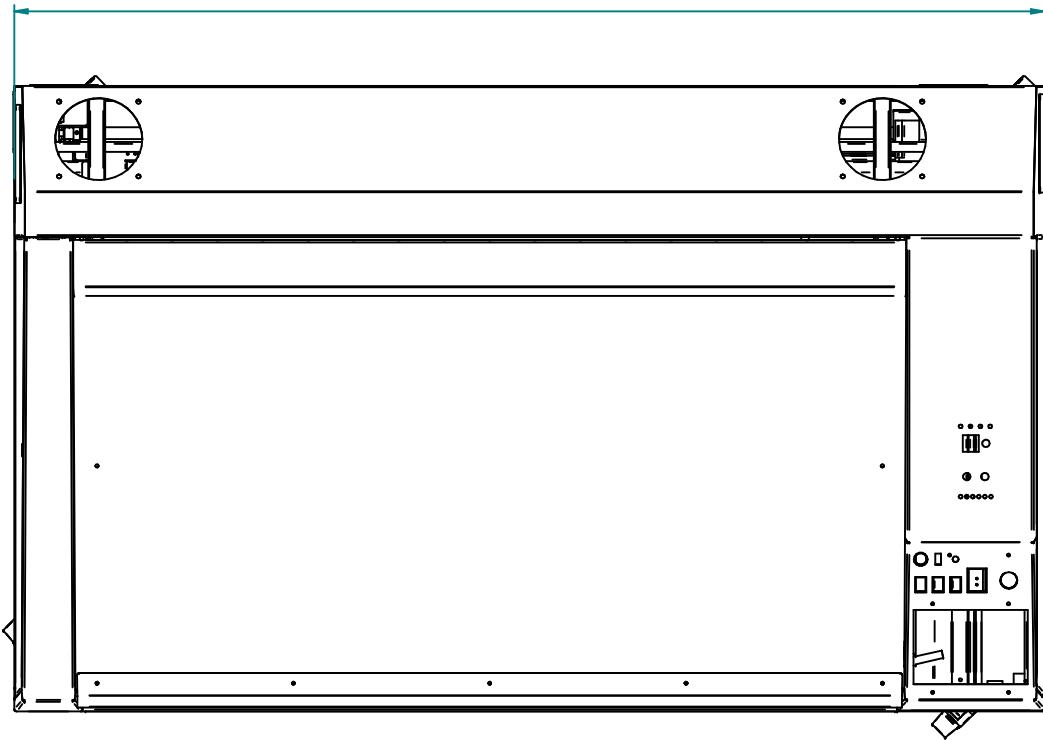
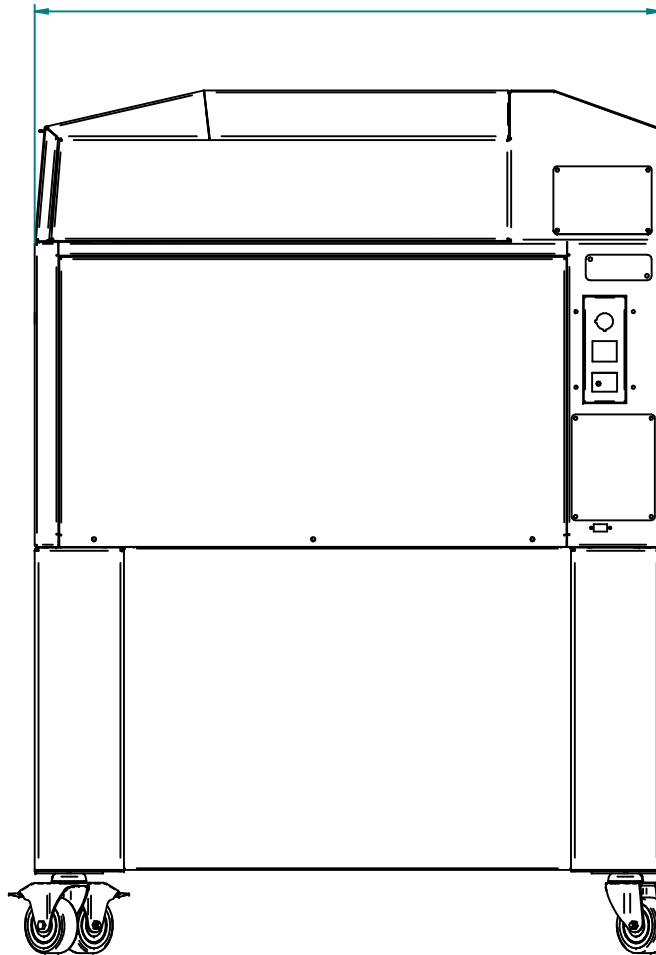


X

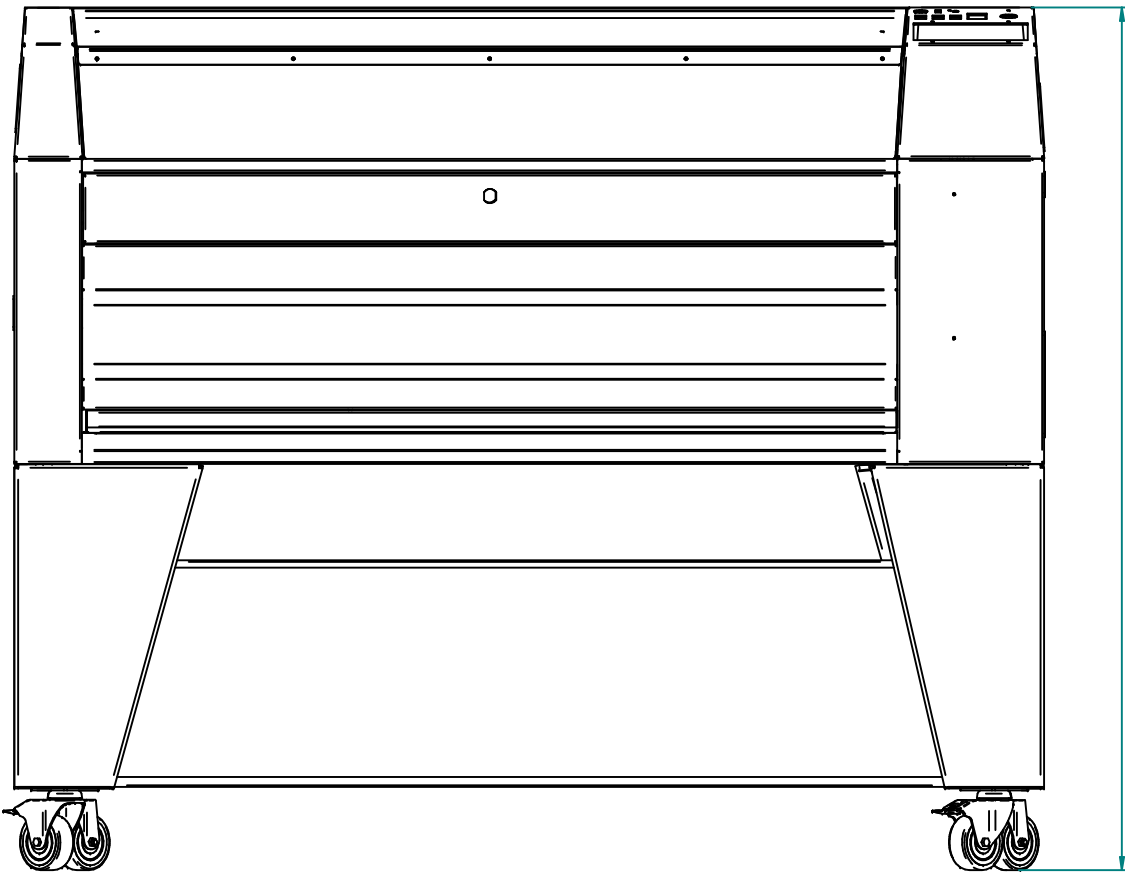


To ensure easy traversing of doorways corridors etc please add 20mm to the machine dimensions displayed

Z



Y



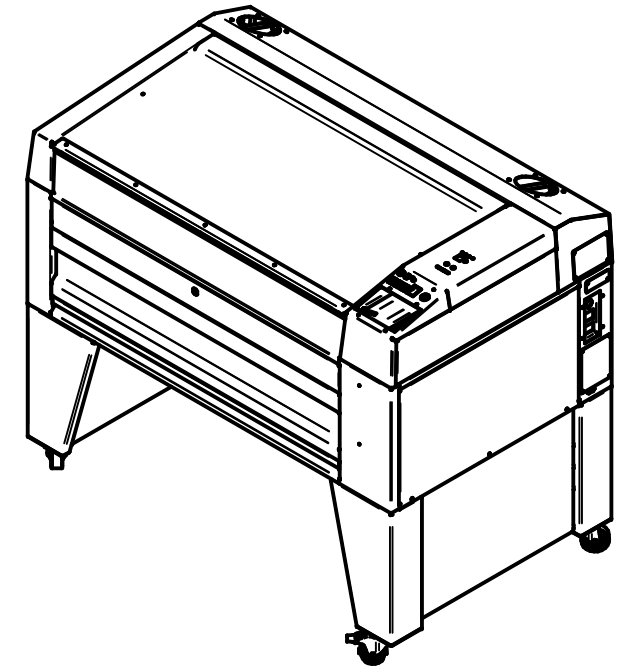
REVISION HISTORY

REV	DESCRIPTION	DATE	APPROVED
2		20/05/2015	

Outer Dimensions

Dimensions (X , Y , Z)	Tube Bias	Notes
1370 x 1150 x 830	80W Dc	Within Standard casing constraints
1600 x 1150 x 830	100W Dc	1370mm + 230mm End box
1370 x 1150 x 880	40W Rf	830 + 50mm step out box for Rf
1370 x 1150 x 880	60W Rf	830 + 50mm step out box for Rf
1370 x 1150 x 880	80W Rf	830 + 50mm step out box for Rf
1370 x 1150 x 880	100W Rf	830 + 50mm step out box for Rf

All Dimensions are based on the current revision. Please ask a CTR representative to provide you with the latest revision to aid in logistics analysis and placement



	NAME	DATE	CTRfuture Ltd	
DRAWN	michael	06/05/2015	Copyright - Do not reproduce without written consent	
CHECKED			Title: X-Y Mechanics Assembly TMX 90 Outer dimensions	
ENG APPR				
MGR APPR				
UNLESS OTHERWISE SPECIFIED DIMENSIONS ARE IN MILLIMETERS ANGLES ±0.1° 2 PL ±0.02 3 PL ±0.005			SIZE A3	Doc.: X9000-000000-000002
MATERIAL:			File: X9000-000000-000002 Complete assembly.asm	REV 2
Finish:			SCALE:	WEIGHT:
			SHEET 1 OF 1	